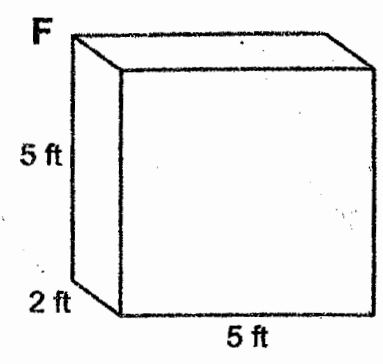
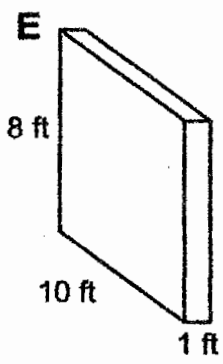
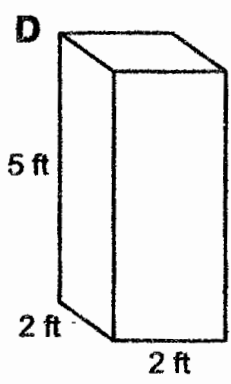
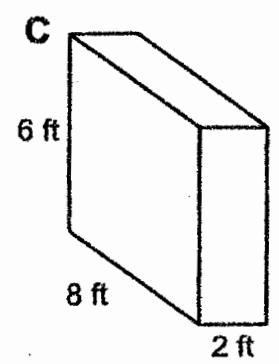
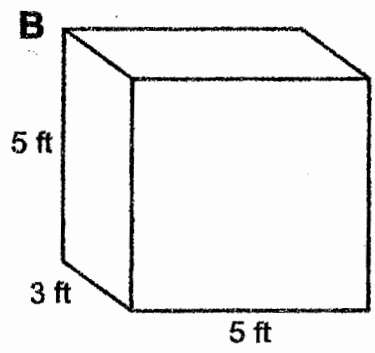
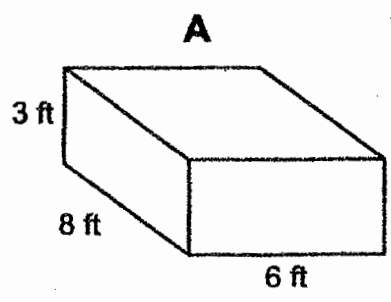


Questions About Volume

Name: _____ Date: _____

Answer the questions about these six solids.



- (1) Which solid has a volume 48 ft^3 less than solid A? _____
- (2) What is the difference between the volumes of solid B and solid E?

- (3) Which solids have a volume greater than the volume of solid C?

- (4) Which solid has a volume 25 ft^3 greater than solid F? _____
- (5) What is the sum of the volumes of the three largest solids? _____
- (6) What are the volumes of solid C and solid B combined? _____
- (7) If you stacked solids B, D and F into a tower, how high would the tower be? _____
- (8) List the letters of the solids in order of volume, lowest to highest.
