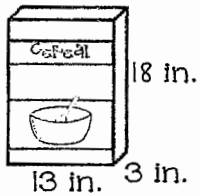


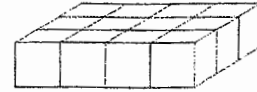
Name \_\_\_\_\_ Date \_\_\_\_\_

## Volume of Rectangular Prisms Worksheet F

1. A cereal company shipped crates of its most popular cereal. The box is shown below. Each crate listed below is full, with no empty spaces. Find the volume of each crate of cereal.



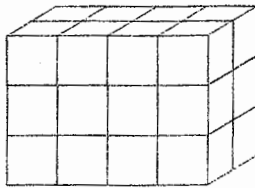
Crate	Number of Cereal Boxes	Volume of Crate (cubic in.)
A	6	
B	10	
C	14	



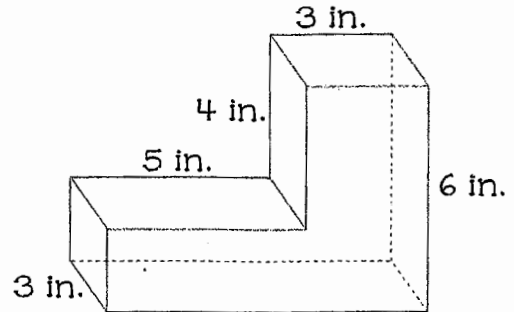
2. Which statement about the rectangular prism is **not** true?

- A. If there were 3 more layers, the volume would be 36 cubic units.
- B. The volume of 4 layers is 48 cubic units.
- C. The volume is 12 cubic units.
- D. The volume of 6 layers is 72 cubic units.

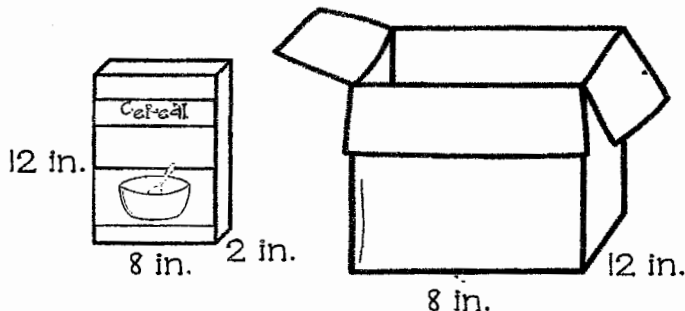
3. If the dimensions of this figure were each doubled, what would the new volume be?



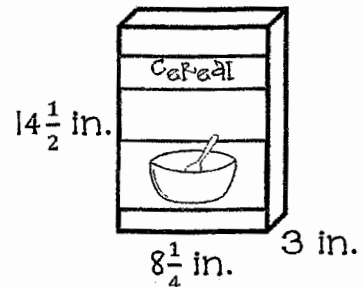
4. Find the volume of the composite figure.



5. If both boxes have the same height, then how many boxes of cereal can fit into the larger box?



6. Find the volume of the cereal box.





Determine if the statement shown is "true" or "false".

Answers

- 1) All trapezoids are quadrilaterals.
- 2) All parallelograms have four sides of equal length sides.
- 3) All rhombuses are quadrilaterals.
- 4) All rectangles are quadrilaterals.
- 5) All squares are quadrilaterals.
- 6) All rectangles are squares.
- 7) All squares are rhombuses.
- 8) All parallelograms are squares.
- 9) All parallelograms are rhombuses.
- 10) All quadrilateral have 4 sides.
- 11) A trapezoid has 2 sets of parallel sides.
- 12) A trapezoid has two  $90^\circ$  angles.

1. \_\_\_\_\_
2. \_\_\_\_\_
3. \_\_\_\_\_
4. \_\_\_\_\_
5. \_\_\_\_\_
6. \_\_\_\_\_
7. \_\_\_\_\_
8. \_\_\_\_\_
9. \_\_\_\_\_
10. \_\_\_\_\_
11. \_\_\_\_\_
12. \_\_\_\_\_