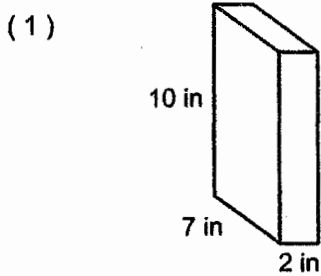


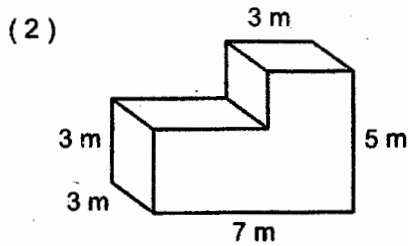
# Calculating Volume

Name: \_\_\_\_\_ Date: \_\_\_\_\_

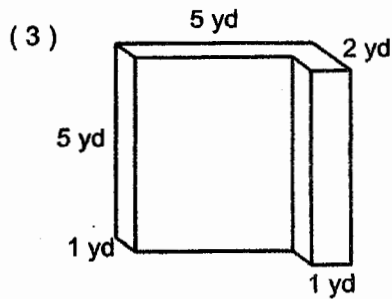
Calculate the volume of each solid.



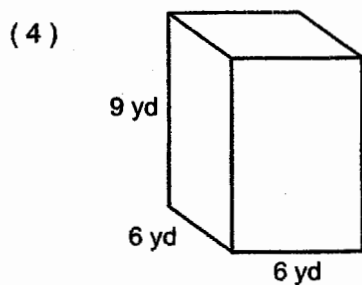
Volume: \_\_\_\_\_



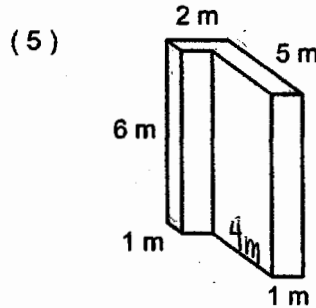
Volume: \_\_\_\_\_



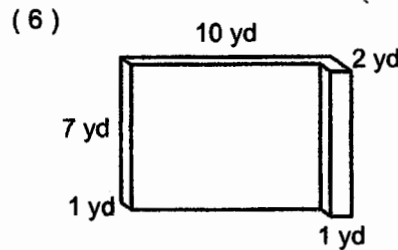
Volume: \_\_\_\_\_



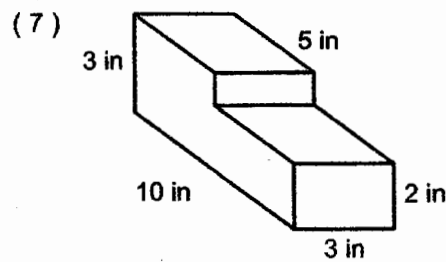
Volume: \_\_\_\_\_



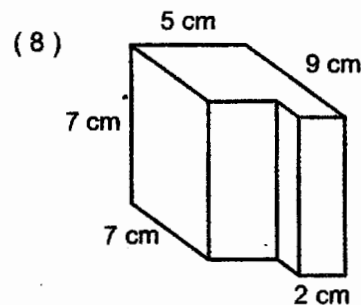
Volume: \_\_\_\_\_



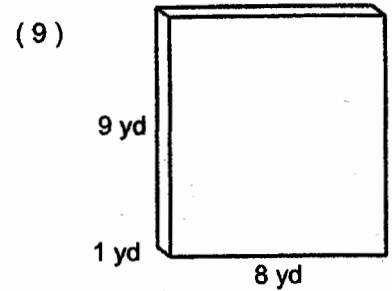
Volume: \_\_\_\_\_



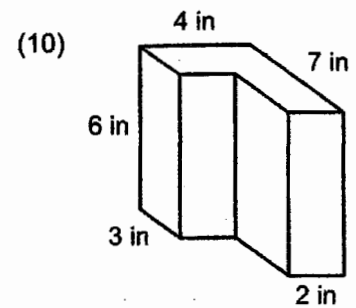
Volume: \_\_\_\_\_



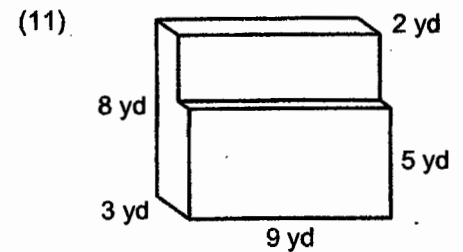
Volume: \_\_\_\_\_



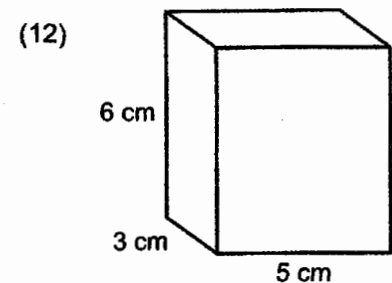
Volume: \_\_\_\_\_



Volume: \_\_\_\_\_



Volume: \_\_\_\_\_



Volume: \_\_\_\_\_