

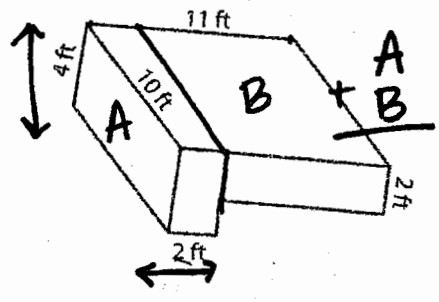
Name: _____

Score: _____

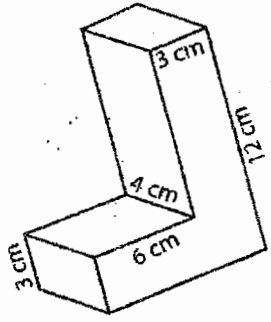
$B = 2 \times 9 \times 10 = 180$ **Volume of L-Blocks**

Find the volume of each L-block.

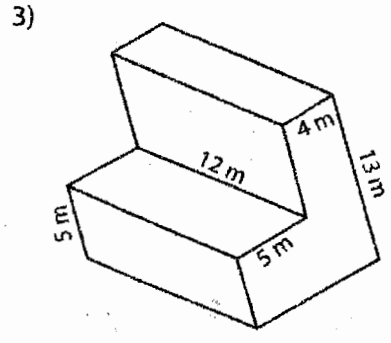
1) $A = l \times w \times d$
 $4 \times 2 \times 10 = 80$



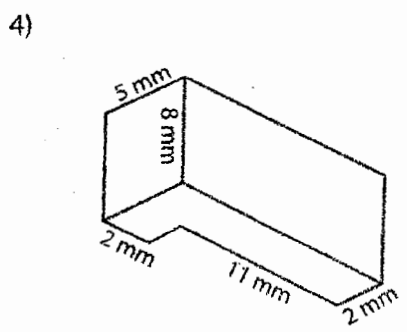
Volume = 260 ft³



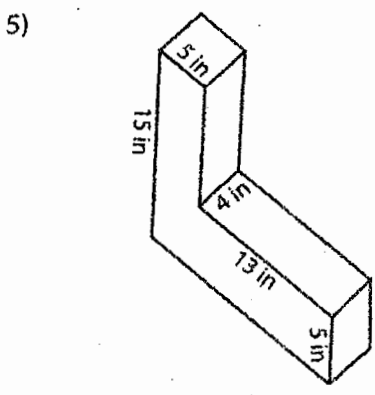
Volume = _____



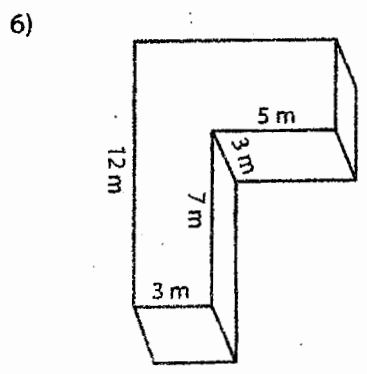
Volume = _____



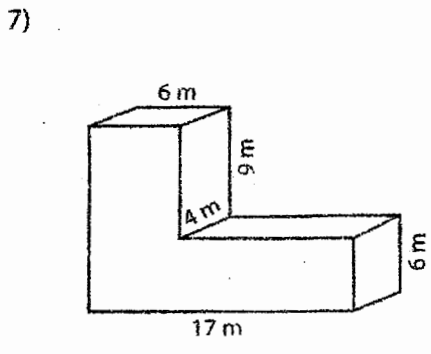
Volume = _____



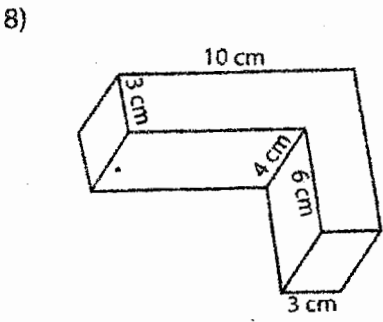
Volume = _____



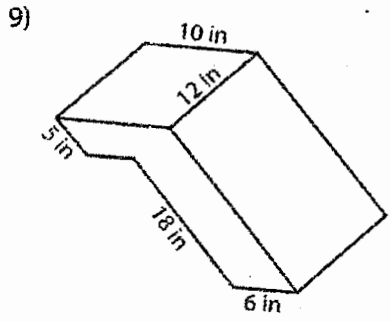
Volume = _____



Volume = _____



Volume = _____



Volume = _____