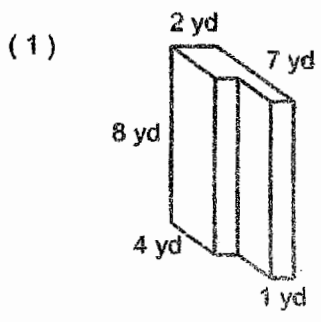


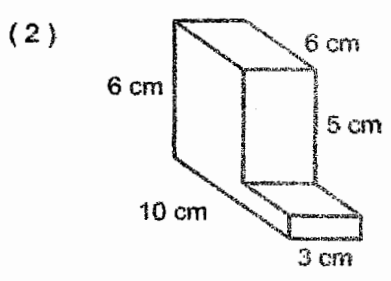
Calculating Volume

Name: _____ Date: _____

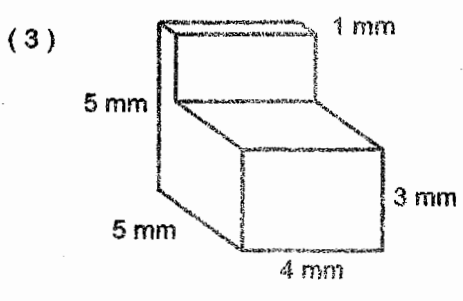
Calculate the volume of each solid.



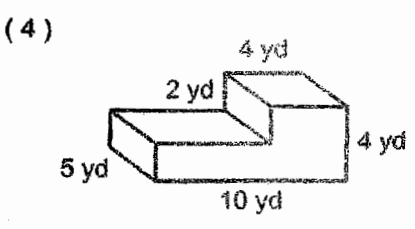
Volume: _____



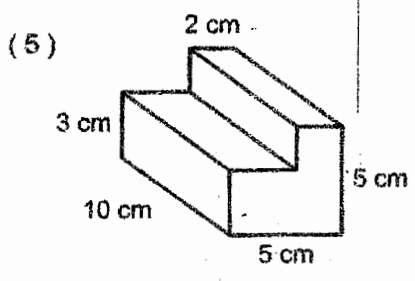
Volume: _____



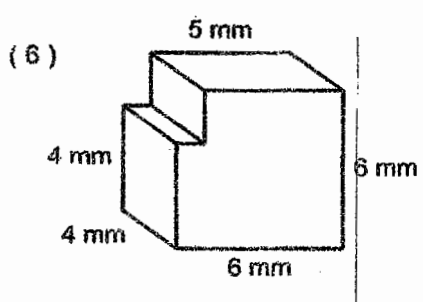
Volume: _____



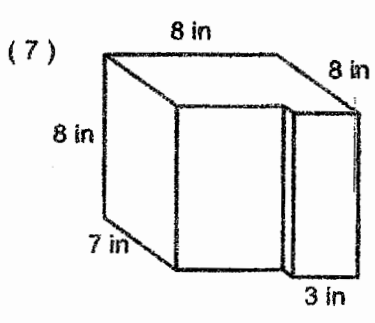
Volume: _____



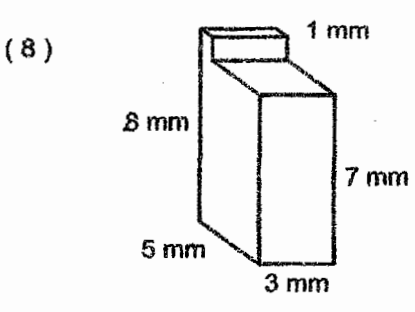
Volume: _____



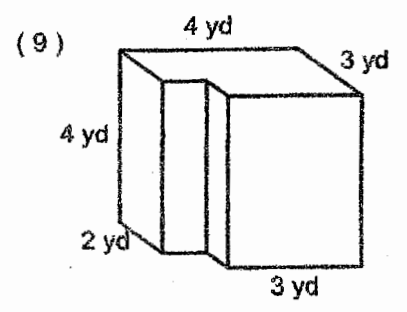
Volume: _____



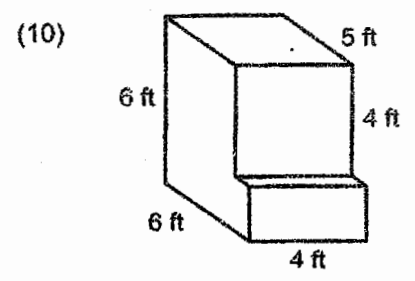
Volume: _____



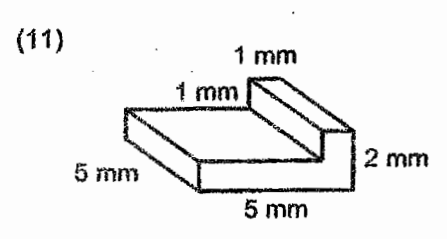
Volume: _____



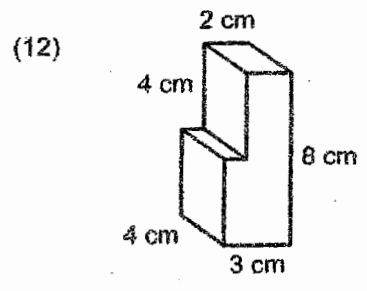
Volume: _____



Volume: _____



Volume: _____



Volume: _____